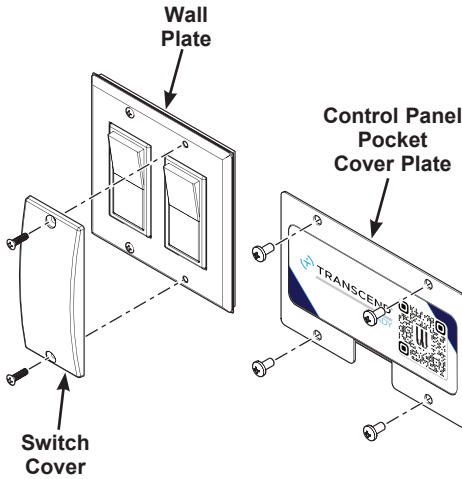
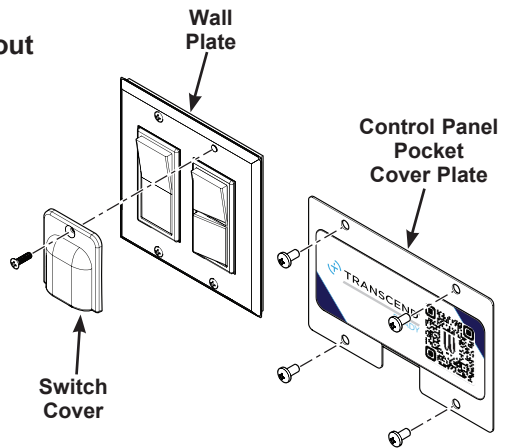


1. Remove the switch cover and make sure the Transcend power wall switch is in the "Off" position. Discard the switch cover and reinstall the removed screws to the wall plate.
2. Remove the Transcend Ready control panel pocket cover plate:
  - a. Remove the four screws securing the cover plate to the wall panel and set them aside for reassembly.

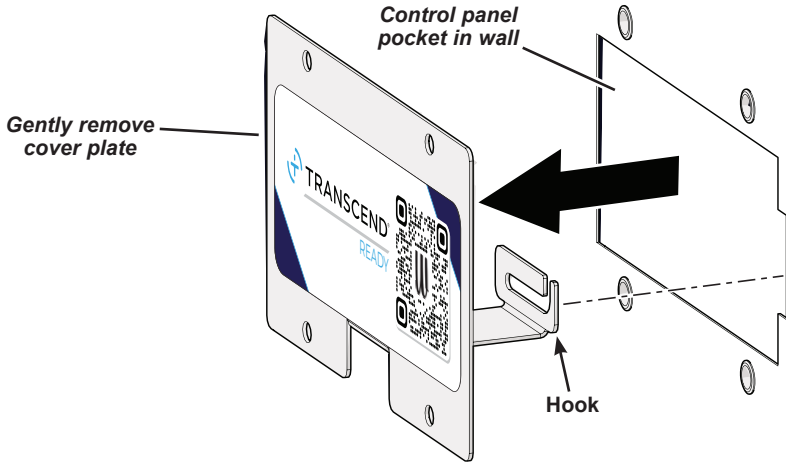


**Transcend Switch Layout  
for HVAC Rooms**

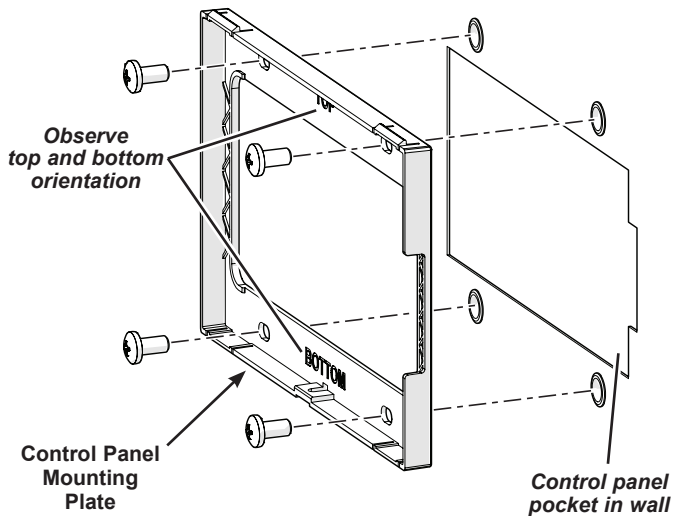


**Transcend Switch Layout  
for Fan Rooms**

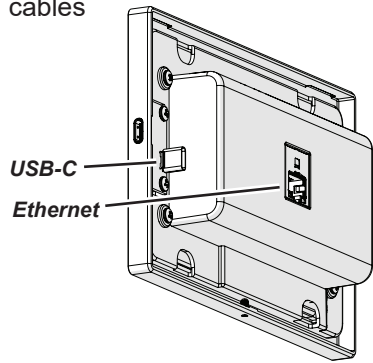
- b. Gently remove the cover plate, taking care not to damage the Ethernet and USB-C cables that are attached to the hook on the back of the cover plate and tucked into the control panel pocket.
- c. Remove the cables from the hook and discard the cover plate.



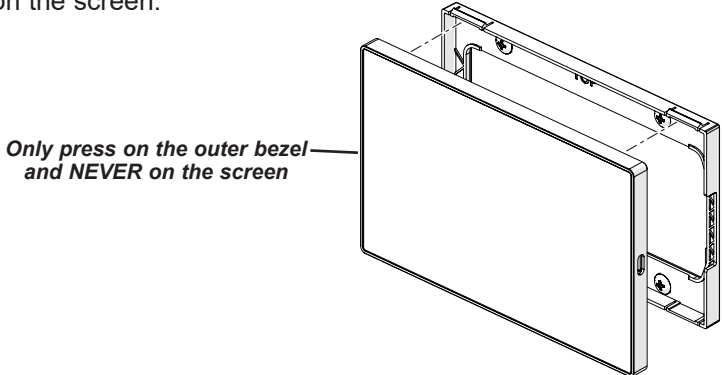
- 3. Attach the control panel mounting plate to the wall panel at this location using the four screws removed with the control bracket.



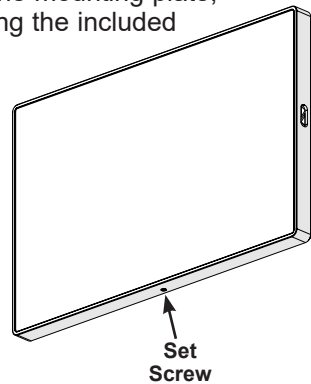
3. Attach both the Ethernet and USB-C cables to the control panel.



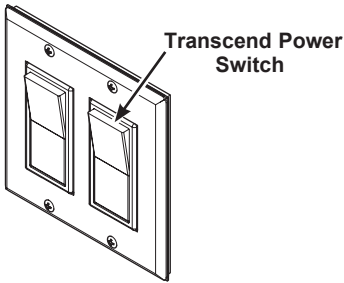
4. Carefully tuck the Ethernet and USB-C cables into the control panel pocket and install control panel to the mounting plate. There will be some resistance, only press on the outer bezel and never on the screen.



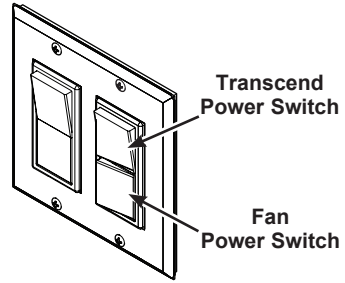
5. After the control panel is fully seated on the mounting plate, install the set screw to lock it in place using the included allen wrench.



6. Turn on the Transcend processor using the Transcend power wall switch.



**HVAC Room  
Switches**

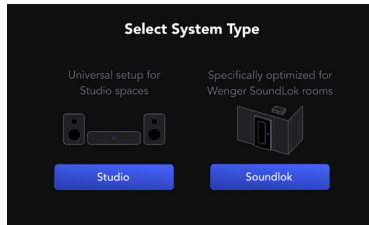


**Fan Room  
Switches**

## **NOTICE**

*The control panel may begin updating firmware upon the first startup. DO NOT POWER OFF THE SYSTEM UNTIL THE FIRMWARE UPDATE IS COMPLETE.*

7. The first time the system is powered on, the control panel may perform a firmware update. Afterwards, follow the on-screen instructions to set up and calibrate Transcend.
- The device cannot be used before a calibration is performed.**
- a. Select System Type
  - b. Select "SoundLok".  
If "Studio" is inadvertently selected, the device will need to be factory reset, contact Wenger Corporation.

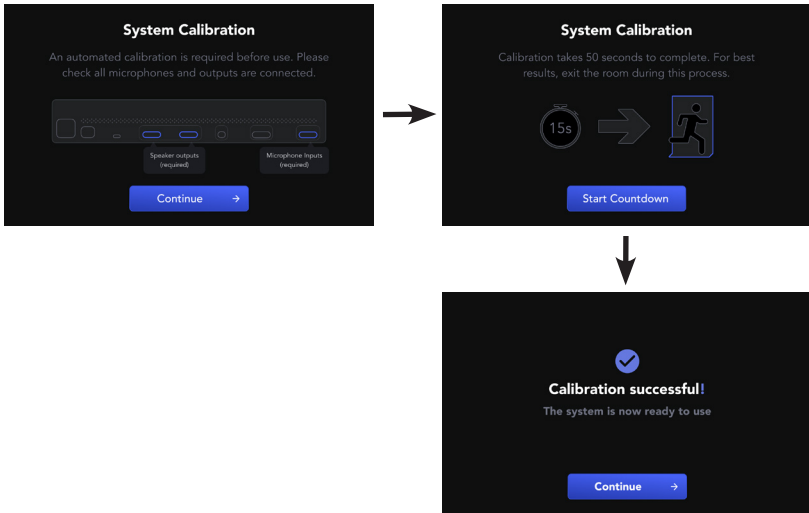


**\*\*MAKE SURE THERE ARE NO ITEMS LEANING AGAINST THE CORNER PANELS\*\***

8. Leave the room for the calibration.

It's necessary to leave the room before this process occurs. A 15 second countdown delay is provided so the user has time to leave the room before the calibration starts. Calibration takes a total of 50 seconds to complete.

Select "Start Countdown" when ready to proceed. A series of short tones will be produced by the system as it automatically calculates tonality, balance and loudness.



9. It is recommended to change the default Administration Password.

- Swipe down from the top edge of the screen and select "Settings".
- Input the default password "1,2,3,4,5" and press "Enter".
- Select "General" and then select "Change Password."
- Enter in the new password and press "Enter".
- Record the new password and store it in a safe location.

For more detailed product information, see the Transcend TS-1 Series Reference Manual 290A218.



